

ZD-PREP STATIONS



Zhongda has a complete range of Prep Stations to satisfy the needs of virtually all body shops. The prep stations are designed for the removal of dust from the work area. They are capable of exhausting filtered air to the outside or recycling filtered air back into the body shop environment. Zhongda Prep Stations are available with the air handling unit (with or without heating) mounted at either the end or the side.



Single Bay Configurations

Floor Construction

- In-ground pit models have the paint stop filters installed in the pit.
- Semi downdraft installation, which houses the paint stop filters in
- lift-out frame, the filters can be easily changed in just minutes.
- Metal basement with the paint stop filters in the raised floor.

Size: 6400x3450x300 mm (LxWxH)

Overhead Plenum

A full overhead plenum with fluorescent light is optional available.

The overhead filter plenum is supported by steel posts or hung under the building roof by steel cables.

Plenum Size: 6400x3450x400 mm (LxWxH)

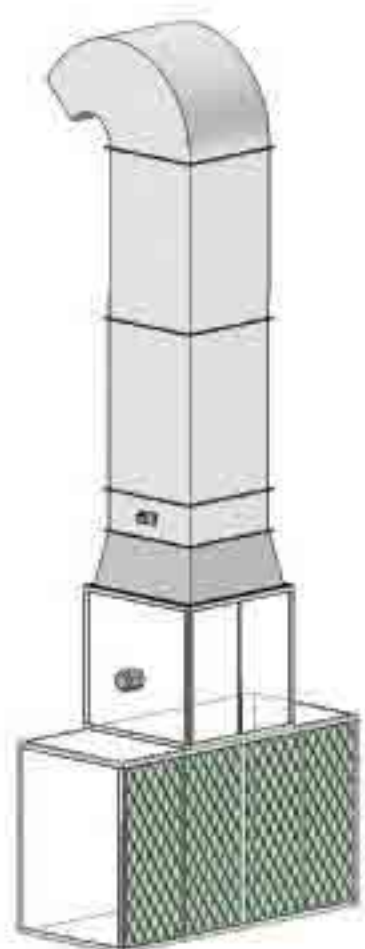
Light: 8 units 4x36w light fixtures

Blower: Capacity up to 22000 m³/h, direct driven turbo fan, 5.5kw motor.

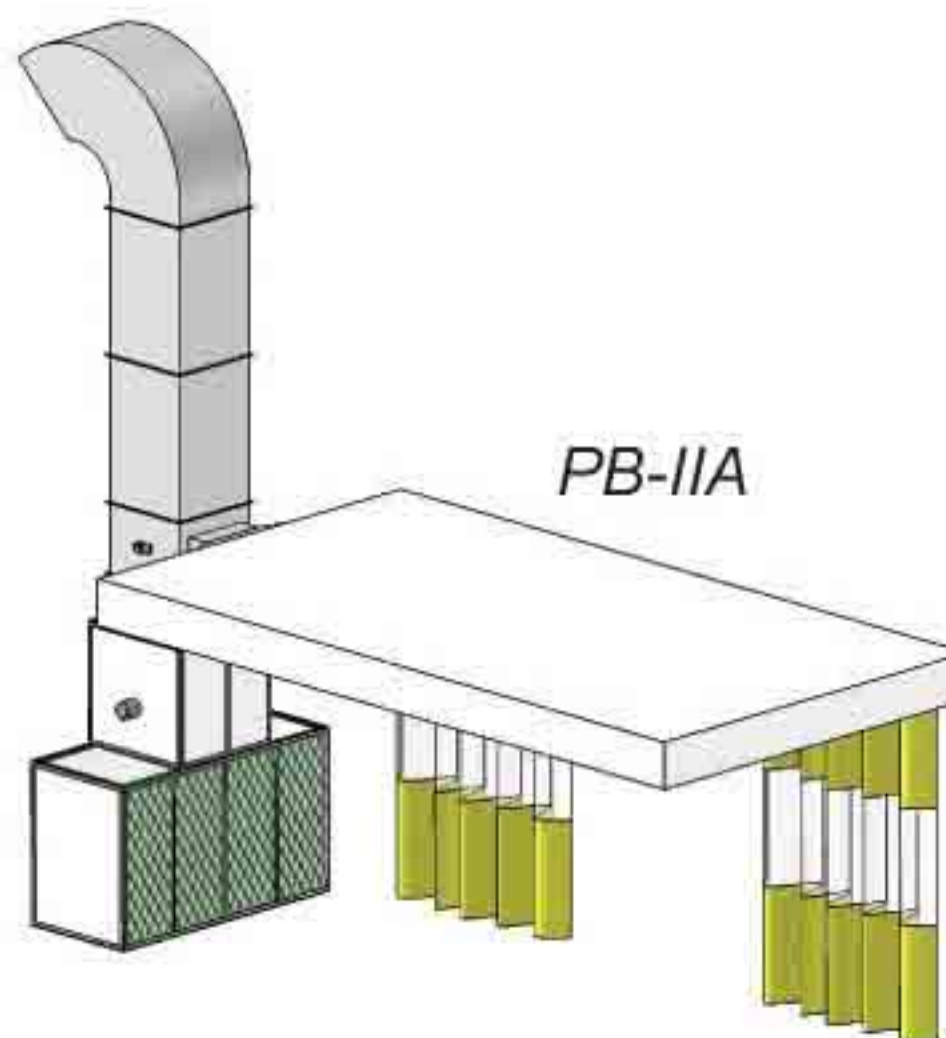
Damper: Automatic damper to change from recirculation to vent.

Enclosure: Optional PVC curtains or insulated wall panels.

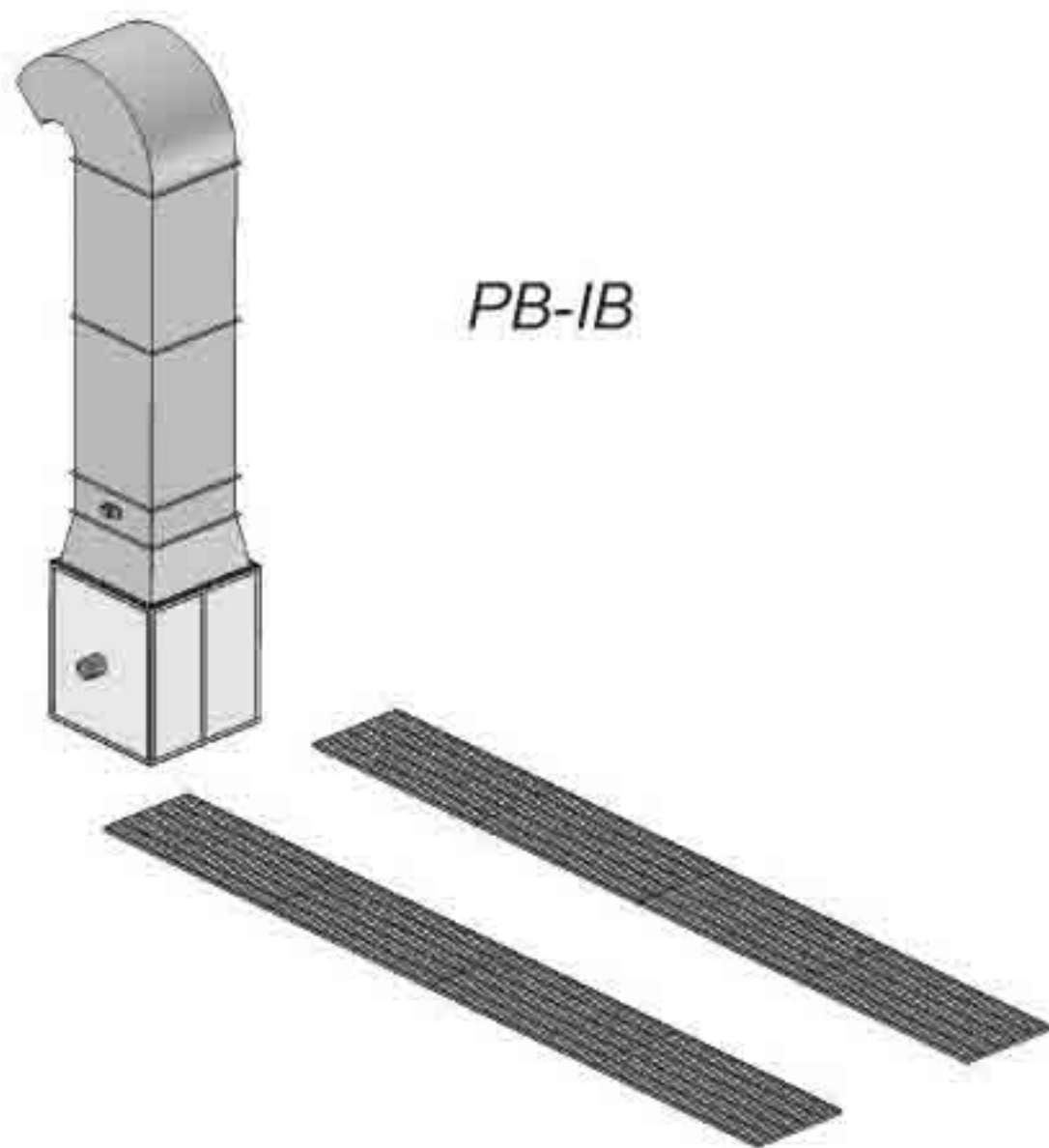
Double, triple, or multiple prep stations available on request.



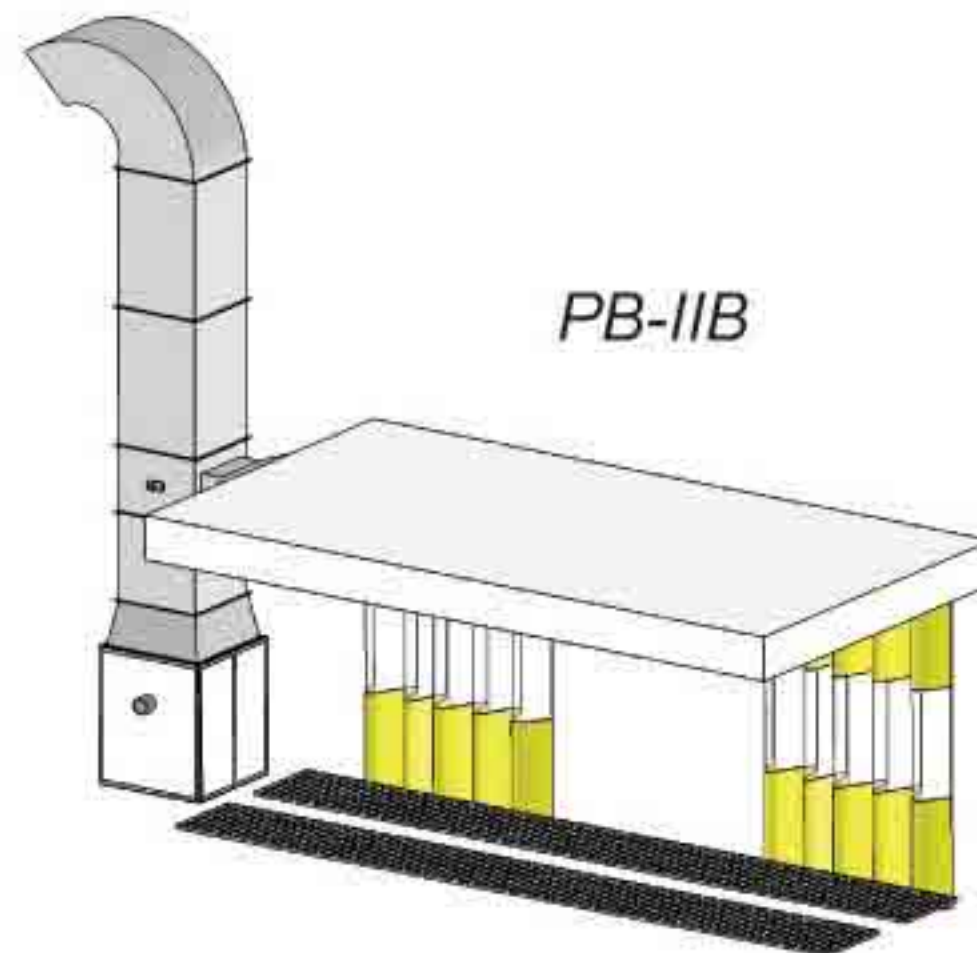
PB-IA



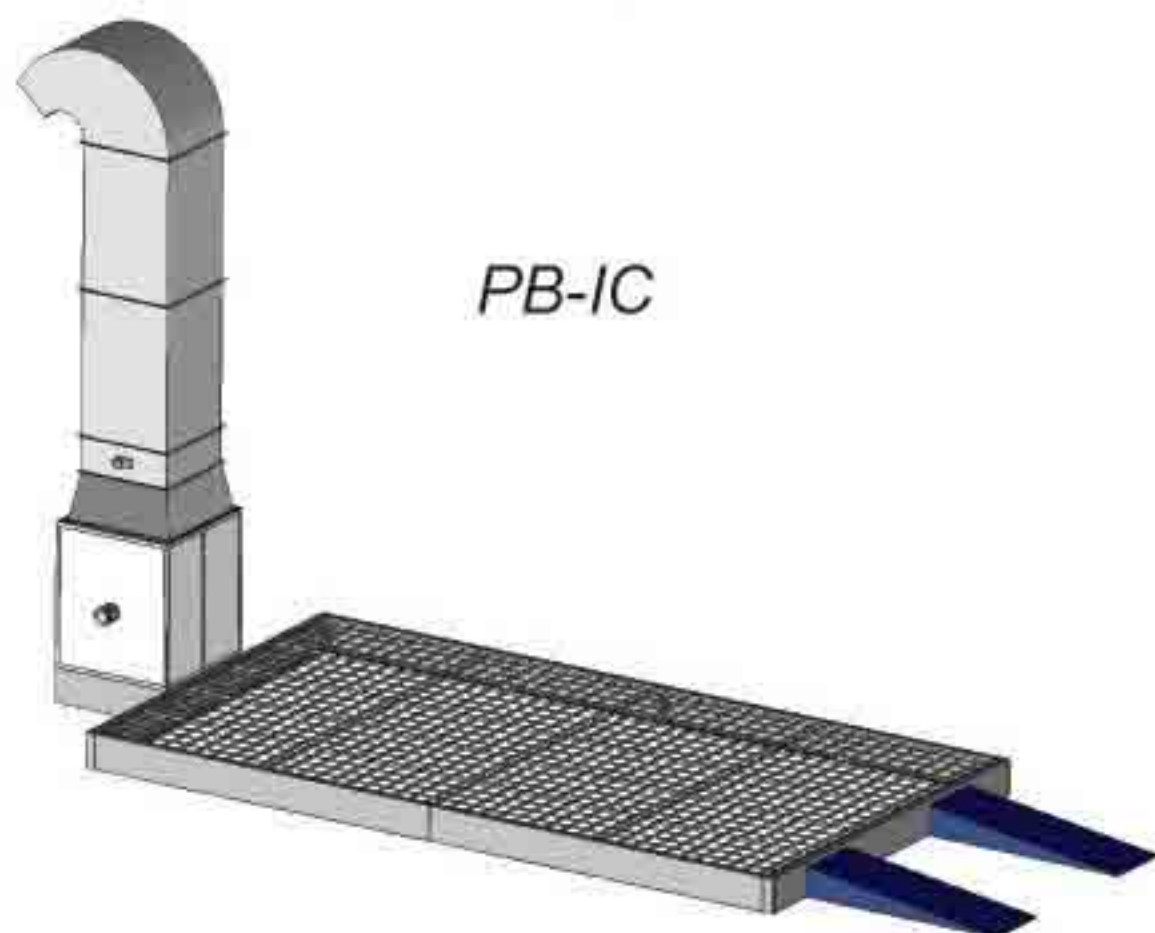
PB-IIA



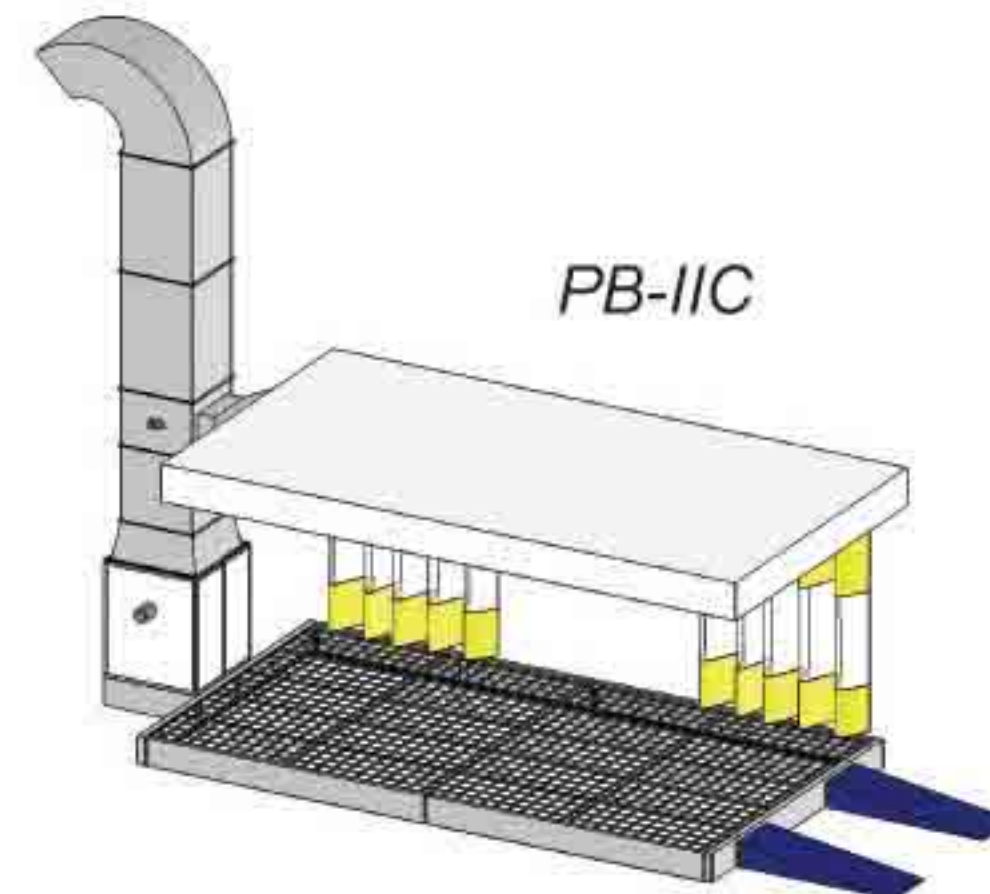
PB-IB



PB-IIB



PB-IC



PB-IIC